

# STEIN

## BATHROOM MIRRORS

### INSTALLATION INSTRUCTIONS

---



DECEMBER 2018

### **INCLUDES INSTRUCTIONS FOR:**

Direct to Wall Mirror Applications  
Concealed Fixing Mirror Applications  
Holes and Domes Mirror Application

# STEIN

## Bathroom Mirrors

### Installation Instructions

#### PLEASE READ CAREFULLY BEFORE COMMENCING INSTALLATION

- When you receive your mirror please check that the type/size is correct and free of freight damage.
- Advise your supplier of Stein products of any fault within 12 hours of receiving goods.
- Any installation of incorrect or damaged product will invalidate later claims.

#### IMPORTANT

##### HEALTH AND SAFETY

- Prior to drilling into a wall ensure that it is clear from electrical wires and water pipes.
- Always stand mirror glass up after unpacking the components and use soft packing where in contact with hard surfaces. Take care not to strike an edge or corner on a hard surface.
- Support mirrors bonded to the wall from slumping or falling out until adhesive has cured
- Wear protective gloves and eye protection.

##### WARRANTY

This covers any product defects for 5 years but glass breakage on site is not included. Refer to page 5 for details.

##### TOOLS & MATERIALS REQUIRED (available from your local retailer)

- 3M Scotch Indoor Mounting Tape - White (required for direct to wall only)
- Selleys Liquid Nails: **Mirror-Metal-Glass** (required). Not to be confused with regular Selleys liquid nails.  
**Note:** Acid cure silicone will degrade the silvered backing.
- 4 x screws (for concealed fixing only).
- Cleaning cloth
- Soft pencil
- Spirit level

##### PREPARATION/DETAILING

- The wall: This must be flat and a suitable substrate and preferably a cured painted surface to protect the mirror backing while installing.

##### MIRRORS OVER VANITIES:

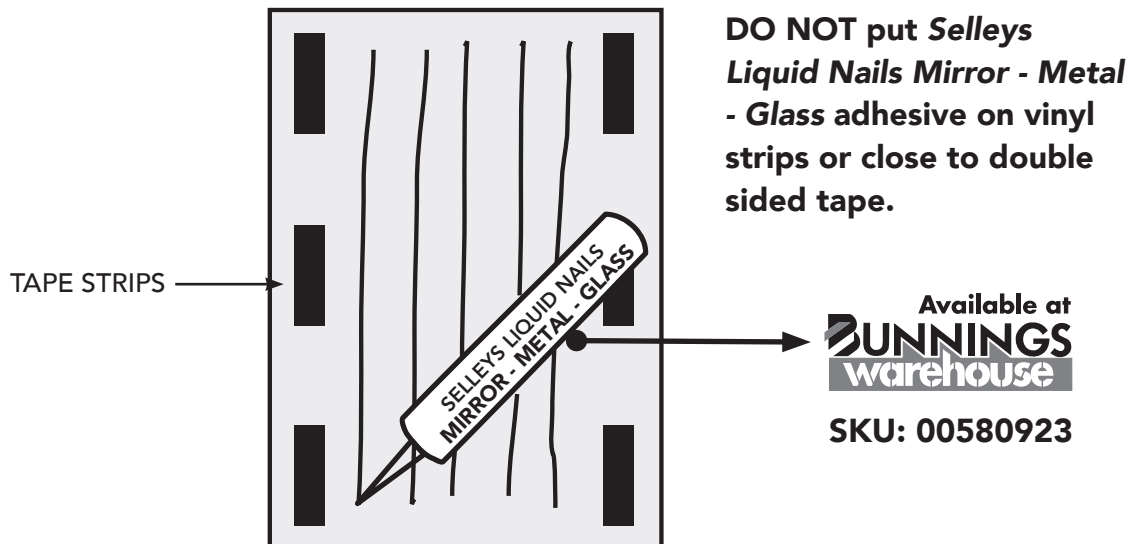
It is required that the minimum Gap the mirror is positioned above the Vanity Top is 16mm. This is to provide for ventilation at the back of the mirror and protect against a build of moisture at the base.

##### MIRROR FIXING TYPE -Please refer to the correct installation page

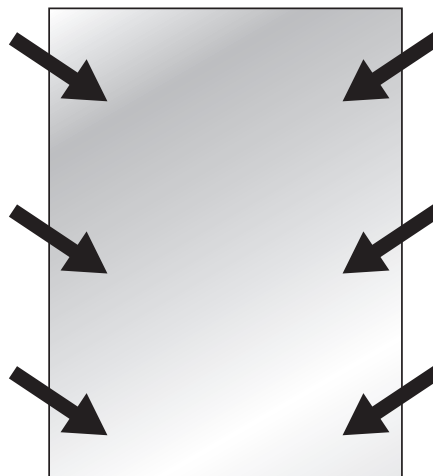
- Direct to wall Installation..... Page 2
- Concealed fixing Installation..... Page 3
- Holes and domes installation..... Page 4

## INSTALLATION: DIRECT TO WALL

1. There is a vinyl film on the back of the mirror providing anti-shatter protection during transport and storage. This film must be peeled off for direct installation. Peel film from a corner and apply even pull to remove. Note: Avoid scratching backing.
2. Clean the rear of the mirror with cleaning cloth so it is free of dust and particles.
3. Using a soft pencil and level, gently mark the position where the mirror will be mounted on the wall. Ensure your measurements are correct and level.
4. Place the 3M Scotch Indoor mounting tape in strips on the rear of the mirror. Note: More mounting Tape will be required with larger mirrors as this is to provide a initial bond until the adhesive cures.



5. Place mirror on the wall in position and press firmly into place to activate the tape adhesive.



**SUPPORT THE WEIGHT OF MIRROR AND FROM FALLING OUTWARDS  
UNTIL THE ADHESIVE HAS CURED.**

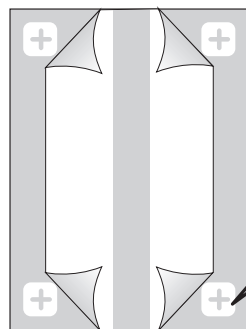
## INSTALLATION: CONCEALED FIXING

Two options are available:

1. As per instructions below.
2. Purchase mirror hanging clips from Bunnings (sku:00844439)

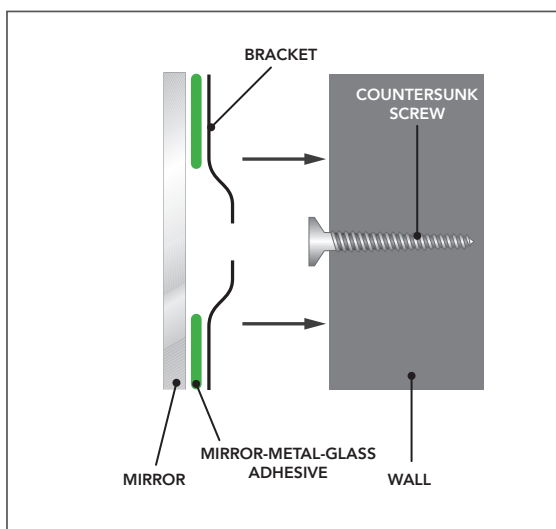
1. Take the Mirror and mark the position on the wall
2. Peel vinyl backing film off the 4 outside corners, just enough to allow room to glue on fixing brackets. Trim off excess vinyl film.
3. Clean the rear of the mirror with cleaning cloth so it's free of dust and particles.
4. Place the fixing brackets on the back of the mirror and accurately mark their position from the corners. Use the Mirror-Metal-Glass adhesive to glue the 4 fixing brackets onto the mirror. Allow 48Hrs to cure.

**Do not put adhesive or brackets on the vinyl strips.**

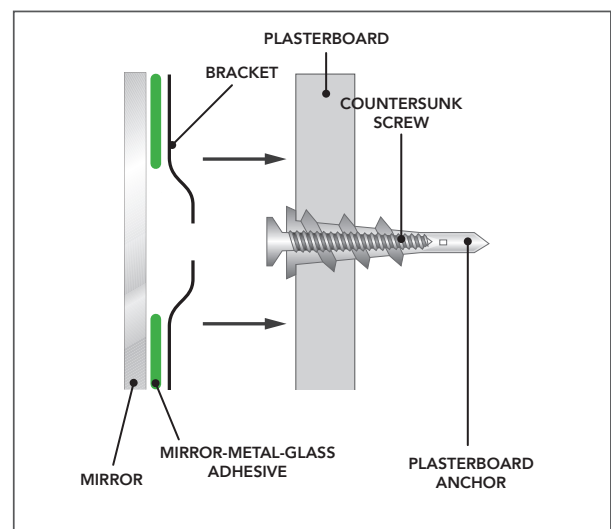


Available at  
**BUNNINGS**  
warehouse  
SKU: 00580923

5. From the marked location of Mirror on the wall measure and mark the screw positions. Drill a very small hole at each mark to establish if solid fixing is available. Where there are no solid fixings, you will need to purchase a screw plasterboard anchor and install as per instructions. Stein recommend Ramset Metal "Wallmate" Self-Drilling Plasterboard Anchors. See diagrams below.
6. Enter the screw into the wall but leave head out sufficient to enter bracket slot over screw head and slide down in position.
7. When fit is ok remove Mirror, apply a very small dab of Mirror-Metal- Glass on two bottom brackets to achieve a light hold against wall. This safety measure protects against knocks or seismic movement releasing the mounting.



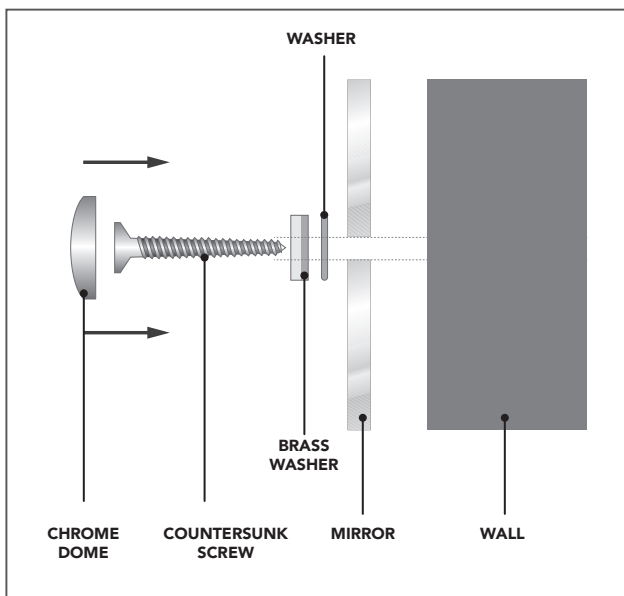
**FIXING MIRROR INTO A SOLID FIXING**



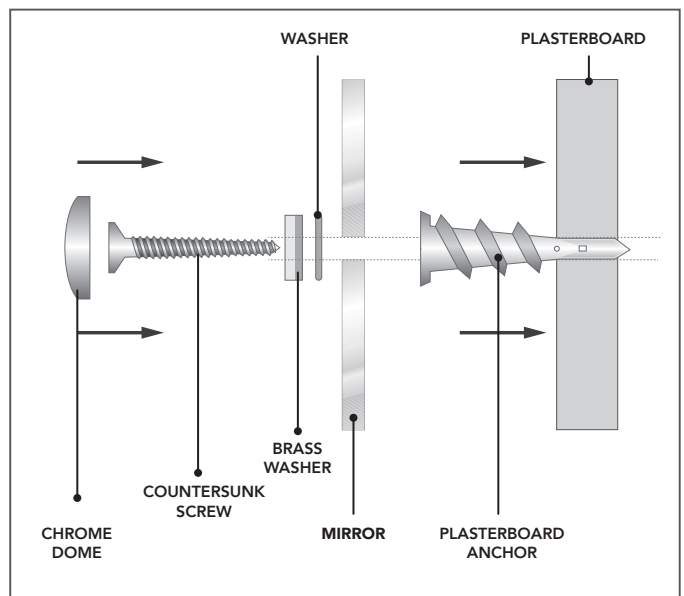
**FIXING MIRROR INTO PLASTERBOARD**

## INSTALLATION: HOLES AND DOMES

- 1 Clean the rear of the mirror with cleaning cloth so it's free of dust and particles.
- 2 Place the mirror in the desired position and mark the holes with a pencil. Drill a very small hole at each mark to establish if solid fixing is available.
- 3 Where there is no solid fixings, you will need to purchase a screw plasterboard anchor and install as per instructions. Stein recommend Ramset Metal "Wallmate" Self Drilling Plasterboard Anchors.
- 4 Fasten the holes and domes mirror to the wall using the following fastening component order:
  1. Washer against the mirror.
  2. Brass washer with recess to the outside (pointing away from the mirror).
  3. Countersunk screw.
  4. Chrome dome screwed onto brass washer.



**FIXING MIRROR INTO A SOLID FIXING**



**FIXING MIRROR INTO PLASTERBOARD**

**WHEN FASTENING TAKE CARE TO EVENLY TIGHTEN THE SCREWS AND WASHERS - BUT DO NOT USE EXCESSIVE FORCE.**

## WARRANTY POLICY/SERVICE REQUEST

Stein mirrors are covered by a 5 year warranty subject to care and maintenance.

The Stein warranty applies from the date of purchase and proof of purchase must be produced by the purchaser when making a claim

If within the warranty period, there should be a fault, Stein will either (at its sole discretion) repair, replace or refund the product (up to the original purchase price).

Costs incurred in removing the defective product and installing the replacement product remain the responsibility of the purchaser.

### Stein Warranty/Service requests do not cover:

1. Scratches, chips and/or other damage for items signed for as 'received in good order'
2. The mirror is stored, installed, cleaned, or otherwise handled contrary to Steins written instructions
3. If the mirror is modified
4. The mirror is discarded or destroyed before reasonable opportunity for inspection by Stein
5. The mirror is damaged not due to any fault of Stein, including for example by abnormal weather conditions, faulty installation, building construction or building design, exposure to acids, alkalis, or incompatible cleaning materials such as corrosive or abrasive compounds, or contact with abrasive items.
6. The mirror is installed directly on a vanity top, tile upstand, ledge or wall protrusion.

## CARE AND MAINTENANCE GUIDE

To maintain the appearance of your mirror, particularly when used in a wet or moisture-prone area, it is important to follow all aftercare recommendations as below

1. DO NOT use ammonia based cleaning products such as glass cleaner. These may erode the mirror silver backing. Carefully read the label on any cleaning products before use.
2. Use a slightly moistened microfibre clothe to remove dirt or grime, then buff clean with dry microfibre clothe.
3. Do not spray or flood any water or cleaning product directly onto your mirror as this can be sucked up under the back of the mirror with the potentiall to damage the silvered backing.
4. Always remember to keep your mirror dry. Wipe off any water, moisture or steam.

**Note.** Moisture elements can cause the silvered backing on your mirror to darken. This is usually referred to as 'black spotting'



3 Hynds Rd, Tauranga 3112, New Zealand  
Freephone 0800 002 299 | Phone +64 7 928 9990  
[www.stein.co.nz](http://www.stein.co.nz)