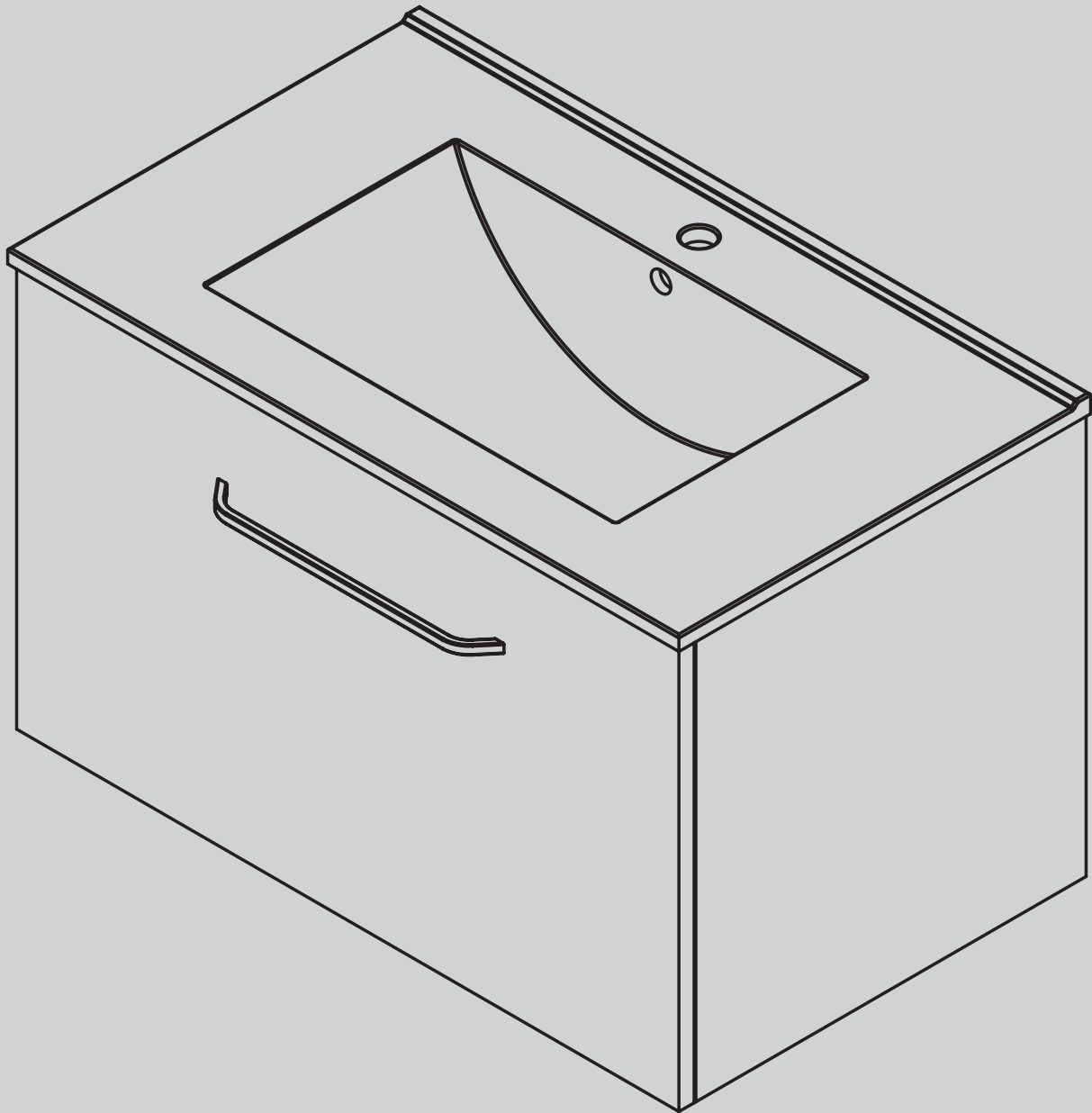


# SELECT VANITY

## INSTRUCTION MANUAL

---



V2 / JANUARY 2018

**STEIN**

**PLEASE READ CAREFULLY****GENERAL INFORMATION**

Thank you for choosing Stein Bathroomware. When you receive your Vanity package please check for any damage. **If damage has occurred advise your supplier immediately and do not proceed with installation otherwise this will invalidate any claim.**

**DISCLAIMER**

Stein International Ltd is not liable for any Vanity that has not been installed correctly.

**INSTALLATION TYPE**

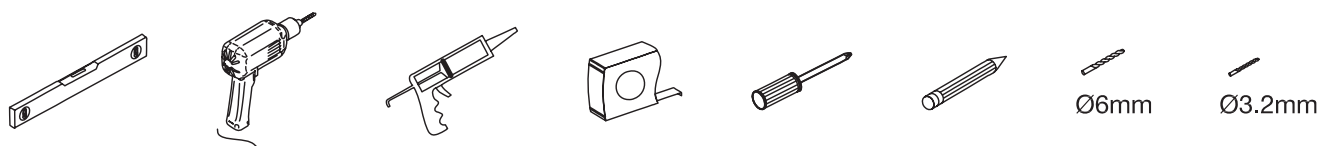
- Wall Hung Vanity Installation: Page 3
- Floor Standing Vanity Installation: Page 5

**WARRANTY**

- This covers product defects for 12 months but glass breakage on site is not included
- Installation must comply with instructions to be under warranty

**MATERIALS REQUIRED**

- Masking tape
- Silicone sealant
- Cleaning materials

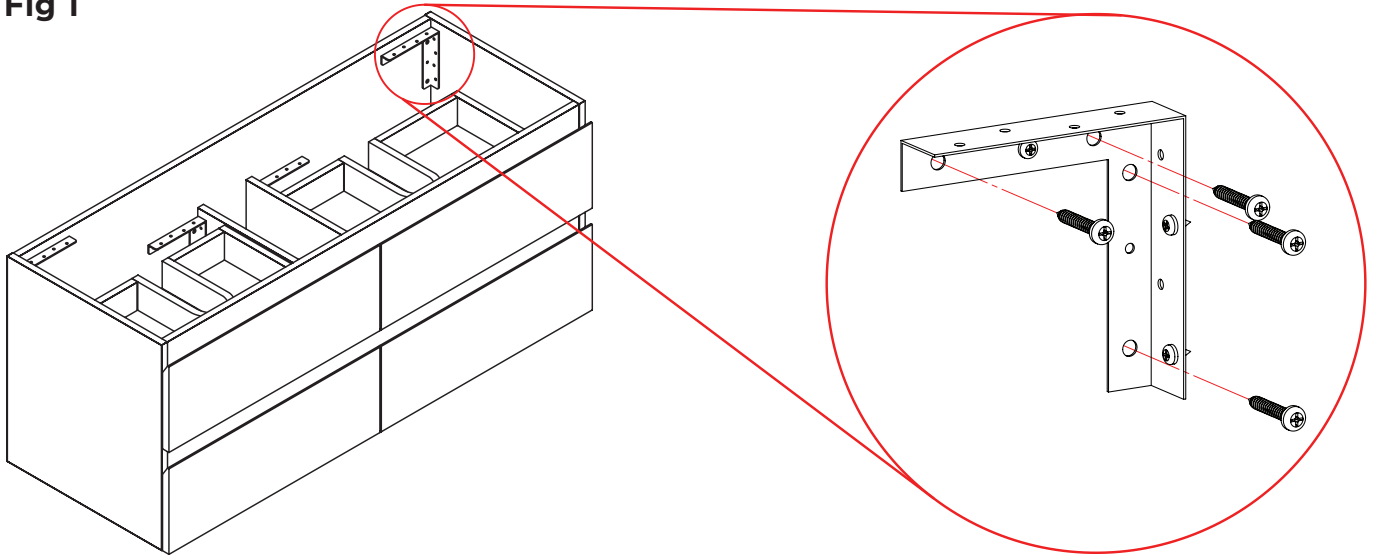
**TOOLS REQUIRED****IMPORTANT: INSTALLATION NOTES**

- Stein vanities are water resistant but not waterproof. Exposure to moisture vapour will greatly reduce the life a Vanity. Compliance with NZ Building code clause G4 on ventilation is required.
- Avoid any distortion to the Vanity due to the walls or floor being out of plumb or level. This will cause the fit of the drawers and doors to be misaligned.
- All tiling must be completed prior to vanity installation. The warranty does not include restoration of tiling or wall finishing.
- Ensure that the hot water supply is regulated to 55 degrees C.
- Fit water flow restrictors to small vanity tops to avoid splashing/overflows.
- Use a registered plumber for the plumbing connections.

**WARRANTY WILL BE VOID IF THE 'INSTALLATION NOTES' ARE NOT COMPLIED WITH.**

- 1 Mark the height (from 800mm to 900mm - owners choice) and locate top and bottom frame points to secure the unit.
- 2 **FASTENING TO THE WALL:** A wall hung vanity needs solid fixing for attachment to the wall. Provide this prior to fixing the wall lining. In some cases, existing framing may be sufficient. (Fig 1)

Fig 1



- 3 For installation of pipes it is easier to remove the doors and the drawers. Store them carefully and number their locations.
- 4 Mark and drill holes required for the water and waste fittings.
- 5 Support the unit level at the desired height. Fasten into the frame with heavy gauge wood screws.
- 6 Install the plumbing fittings to meet industry standards. Water test the fittings. Use a registered plumber to complete this task.
- 7 Fit the top in place. This should be flush at the back with even overlaps on each side. Check for any rocking movement to the cabinet (mostly applies to VC tops). Support this movement and apply a bead of silicone to bond these together. (Please note there is a 5mm tolerance in VC tops).
- 8 Replace and adjust the doors and drawers.
- 9 **SEAL ALL JOINS OF UNIT WITH SILICONE:** Vanity top onto cabinet, top and cabinet to wall and any joints susceptible to water penetration. To achieve an even and tidy finish use masking tape each side of the join.

**DO NOT USE FOR 24 HOURS UNTIL SILICONE BOND HAS CURED.**

- 1 Check the walls and floors are plumb, level and flat. Take remedial action or compensate for existing discrepancies in the installation process.
- 2 Locate the necessary framework in the wall to secure the cabinet securely.
- 3 For installation of pipes it is easier to remove the doors and the drawers. Store them carefully and number their locations.
- 4 Fasten to the wall with wood screws.
- 5 Fit the top in place. This should be flush at the back with even overlaps on each side. Check for any rocking movement to the cabinet (mostly applies to VC tops). Support this movement and apply a bead of silicone to bond these together. (Note: There is a 5mm tolerance in VC tops).
- 6 Install the plumbing fittings to meet industry standards and water test the fittings. Use a registered plumber to complete this task.
- 7 Replace and adjust the doors and drawers.
- 8 **SEAL ALL JOINS OF UNIT WITH SILICONE:** Cabinet to floor, upstand to wall, cabinet and top to wall and any joints susceptible to water penetration. To achieve an even and tidy finish use masking tape each side of the join.

**DO NOT USE FOR 24 HOURS UNTIL SILICONE BOND HAS CURED.**

To comply with Warranty requirements, please ensure the following aftercare procedures are regularly performed. Failure to comply to Warranty Aftercare Instructions will void Warranty.

**VITREOUS CHINA BASINS AND VANITY TOPS**

- Use warm soapy water or mild detergent and a soft or microfiber cloth. Rinse with clean water. This must be done on a weekly basis or more often when needed.

**POLY MARBLE VANITY TOPS**

- Use warm soapy water and a clean microfiber cloth followed by drying off with absorbent cloth. This must be done on a weekly basis or more often when needed.
- For minor scuffs on the surface use plastic polish.
- Scratches: If this is minimal use as the process for minor scuffs but in the case of a deeper scratch start with 2000 grit wet and dry paper. Use this wet to take out most of the scratch following on with plastic polish to finish. Note: Deep scratches and chips are best left to a specialised repairer.

**VANITY CABINETS**

- Laminated or lacquer painted surfaces are water resistant. However constant and excessive exposure to water will enter joins in the assembly and the subsequent damage will be irreversible.
- Ensure the water pressure is regulated and balanced to the size of the basin to control water splash.
- The water temperature must be at a maximum of 55 degrees Celsius.
- The waste connections have been correctly installed by a licenced plumber.
- Any joins in the cabinet that are susceptible for water ingress must be sealed with silicone including cabinet to wall.
- The bathroom must have a suitable ventilation system to remove moisture vapour.
- All cleaning of surfaces: Use a damp microfiber cloth with warm soapy water followed up by drying off with an absorbent cloth.
- Do not use abrasive or aggressive cleaners.
- Installation must comply with instructions to be under warranty.
- Always wipe up any spills immediately.

**GENERAL**

- A list of chemicals to avoid contact with the surfaces of your product: hair dyes or lacquers, mineral turps, white spirits, insecticides, nail polish or cleaner, bleaches, shoe polish, mercurchrome, iodine, solvents, alcohol, citrus based chemicals, bath oils, bath salts, kerosene. This is by no means comprehensive but indicative of chemical harm that must be avoided.

For further details please refer to the warranty details, available at [www.stein.co.nz](http://www.stein.co.nz)

**Freephone:** 0800 002 299    **Phone:** 07 928 9990    **Fax:** 07 928 9999

**Email:** [info@stein.co.nz](mailto:info@stein.co.nz)    **www.stein.co.nz**