

STEIN

EASY CLEAN WASTE

INSTALLATION INSTRUCTIONS

PLEASE READ CAREFULLY BEFORE COMMENCING INSTALLATION

GENERAL INFORMATION

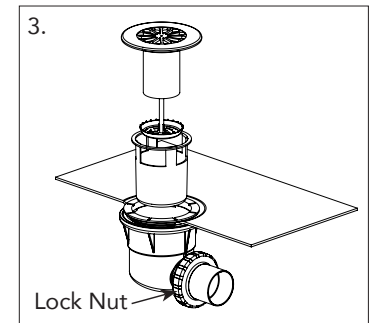
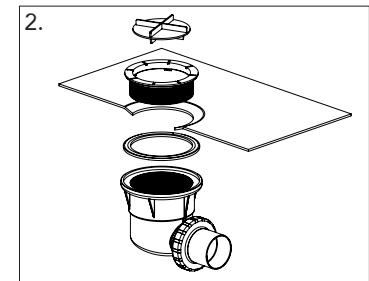
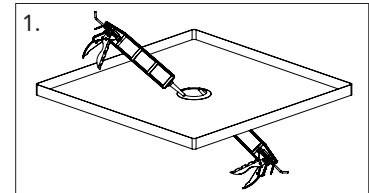
Thank you for choosing Stein Bathroomware. When you receive your Easy Clean Waste please check for any damage. If damage has occurred advise your supplier immediately and do not proceed with installation. Damage reported after installation will not be accepted.

IMPORTANT

- It is recommended that the Easy Clean Waste is installed by a licensed plumber to ensure compliance with the New Zealand building code.
- It is critical that a watertight seal under the base ring is achieved using a neutral cure silicone. Any other type of silicone or sealer used will void warranty.
- Failure to comply with Installation Instructions and Aftercare and Maintenance will void warranty.

INSTALLATION INSTRUCTIONS

1. Apply the silicone sealant to top and bottom of the shower tray waste hole rim.
2. Assemble the inner ring and the base to the shower tray ensuring the rubber seal is in place in the underbody. Use the installation tool to hand tighten the unit in place. Do not use excessive force as this can cause distortion of the unit and seal. Remove excess silicone and clean.
3. Remove the installation tool and replace the inner cup rotating the lid and strainer assembly down into position.
4. Ensure Lock Nut is tight when assembled to piping.



AFTERCARE AND MAINTENANCE

Frequently remove the sieve and inner cup. Clean out the waste trap with soap or light detergent and water. Do not use any solvent, organic based or abrasive type cleaners.