



ACRYLIC TRAY (3 SIDED) AND WALL LINER

INSTALLATION INSTRUCTIONS

INCLUDES INSTRUCTIONS FOR:

Acrylic Trays - 3 Sided Only
Acrylic Wall Liners - Flat and Moulded Shelves
Acrylic Wall Liners 3 Sided



ACRYLIC TRAY (3 SIDED) & WALL LINER

INSTALLATION INSTRUCTIONS

PLEASE READ CAREFULLY

GENERAL INFORMATION

Thank you for choosing Stein Bathroomware. When you receive your Acrylic Tray and Wall Liner packages please check for any damage. **If damage has occurred advise your supplier immediately and do not proceed with installation.**

DISCLAIMER

Stein International Ltd are not liable for any Acrylic Tray and Wall Liner that has not been installed correctly.

TOOLS REQUIRED

- Soft pencil
- Knife or small saw for cutting Gib
- Drill and hole saw set for plumbing fittings in liner and waste hole (timber floor)
- Jig saw if large hole saw is not suitable (timber floor)
- Spirit level and large square
- Plane and sanding board
- Rags and white spirits

MATERIALS REQUIRED

- 1 x Sika Silaflex NG Translucent
- 3 x Sika Shower Bond
- 1 x Fullers Maxibond
- 1 x Selleys No More Gaps Exterior

PACKAGE COMPONENTS

- 1 x Acrylic Tray
- 1 x Acrylic Wall Liner

**WE RECOMMEND THAT A PROFESSIONAL SHOWER INSTALLER IS USED FOR
INSTALLATION OF THIS PRODUCT TO ENSURE THE BEST OUTCOME**

PREPARATION CHECKLIST

THE FOLLOWING ITEMS MUST BE COMPLETED PRIOR TO INSTALLATION



Ensure that the floor is level and flat (every amount that the tray is out of alignment will be multiplied approximately by two on the walls, so this is a critical process to get right).



The tray needs full support without packers. This may require leveling compound on concrete or timber floors, or on timber floors sanding timber may be sufficient. Ensure the base is clean prior to applying leveling compound or glue. All gaps around the waste piping must be filled and flush to complete the support.



The walls must be plumb with internal wall angles at 90 degrees. Solid fixing must be provided in the walls behind the wall channels (Diagram A). Please refer to the Layout Plan from the specific shower enclosure to be installed to identify the position of solid fixings.



Correct installation of the Acrylic Tray requires a horizontal batten to support the tray (refer Diagram B).



The wall board must be suitable for purpose in wet areas and fastened as manufactures instructions (Note: No paint, stopping material, sealer or sanding of the surface).

The plumber must be consulted for the following:



To ensure the waste fitting is in line to establish correct connection after the tray is glued in place.



All plumbing fittings are installed in the wall.

DIAGRAM A:

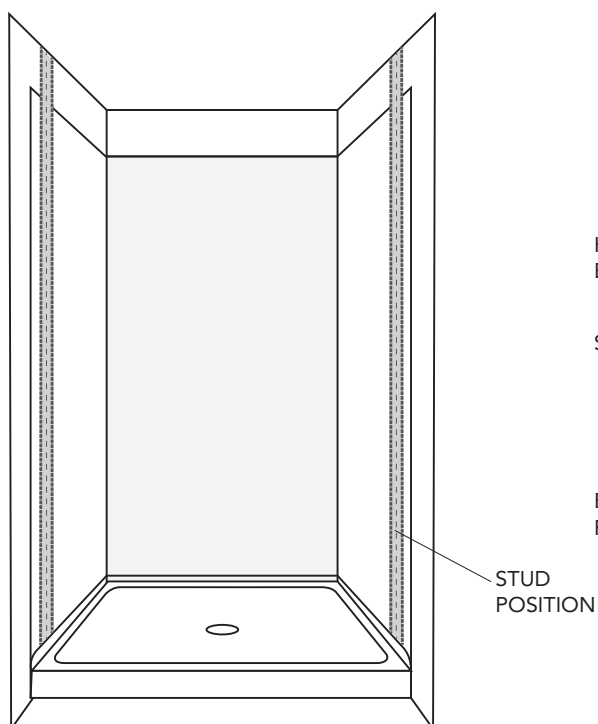
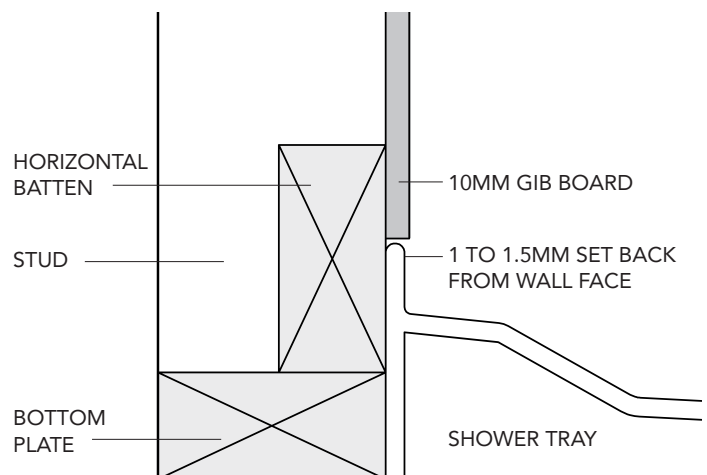


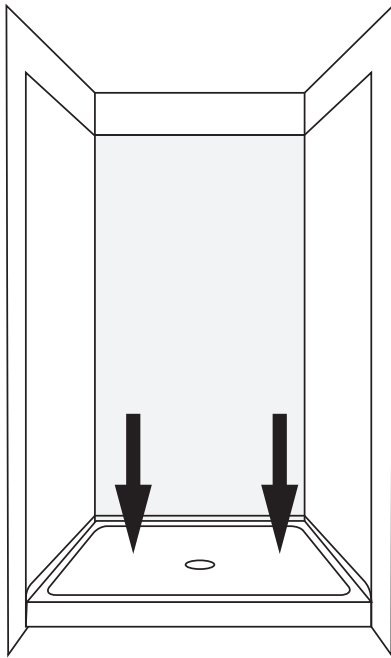
DIAGRAM B:



ACRYLIC TRAY INSTALLATION

- 1** Install the acrylic tray without the wall linings.

DIAGRAM C:

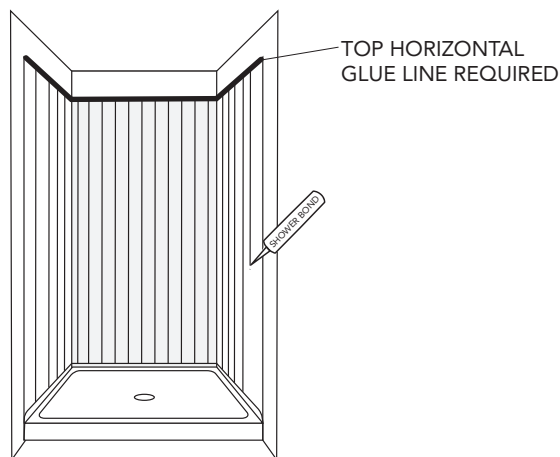


- 2** Check that the tray upstand will be 1 to 1.5mm in from the proposed Gib wall surface.
- 3** Check the tray is level and without any movement. Correct anything at this point. Refer to item 2 on the Preparation Checklist.
- 4** Peel the protective layer off the upstand and the sides of the tray but leave the balance in place to protect the surface from damage during installation. As additional protection cut a section of cardboard from the packaging and place it on the tray.
- 5** Remove the tray and apply Fullers Maxibond adhesive to the rings on the undersides and the boundary underside edges. Install the tray, hold it in place with chocks on side and weighted on top. Leave the chocks in place during the shower install.
- 6** Clean off any excess glue with white spirits.
- 7** Install the Gib lining down to the tray upstand.

ACRYLIC WALL LINER INSTALLATION

- 8** Stand the liner onto the back ledge of tray with internal corner and edges in line with the tray. Check the lower gap for fit. If a small adjustment is needed trim with a sharp plane or 80 grit sandpaper and finish with 120 grit (use a sanding board).
- 9** Draw pencil lines around the edges and remove liner.
- 10** Measure all plumbing fittings on the wall, transfer these to the wall liner and drill with a hole, saw and recheck the fit.
- 11** Mark out the glue pattern for the wall liner. 30mm in from the perimeter and a max of 80mm apart in vertical lines (refer Diagram D).

DIAGRAM D:



- 12** To ensure a waterproof seal, enough silicone sealant (Sika Silaflex NG Translucent) needs to be applied to make a full contact with the wall liner when in place. Apply silicone sealant as described below.

- 1) Apply a continuous bead of silicone sealant around the entire top edge of the upstand (Diagram E).
- 2) Completely fill the end area of the upstand with silicone sealant from 0mm-55mm. Then repeat this process on the other end of the tray (Diagram F).

DIAGRAM E:

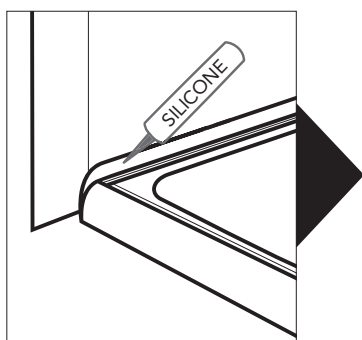
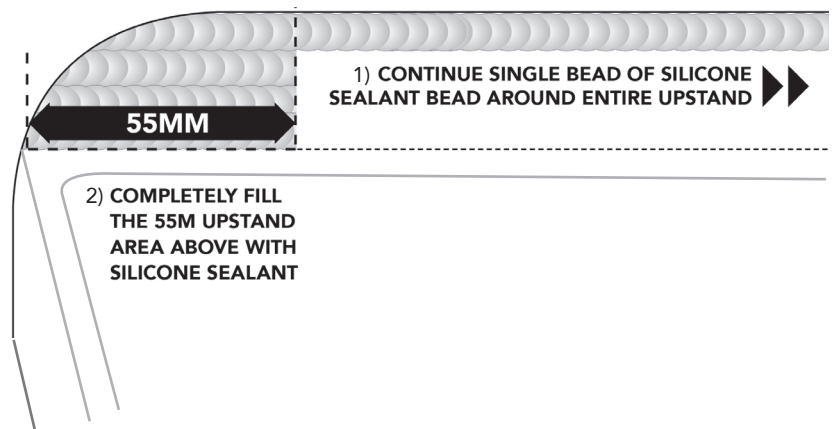


DIAGRAM F:



- 13** Follow up quickly and cut the tip of the Shower Bond cartridge sufficient to give a 6mm bead of glue. Follow the lines as marked up the wall and the horizontal line marked across the top. (Note: Moulded liners - Apply a bead to the adhering face of the liner edges also.
- 14** Refit the liner to the wall marks and starting from the inside corner apply pressure with a soft cloth, covered roller or covered board to ensure the glue lines are flattened out. Brace if required.
- 15** Clean off excess glue with white spirits.
- 16** Seal top edge of the liner with Selleys No More Gaps Exterior.



113 Newton Street, Mount Maunganui
Freephone 0800 002 299
Phone +64 7 928 9990
www.stein.co.nz