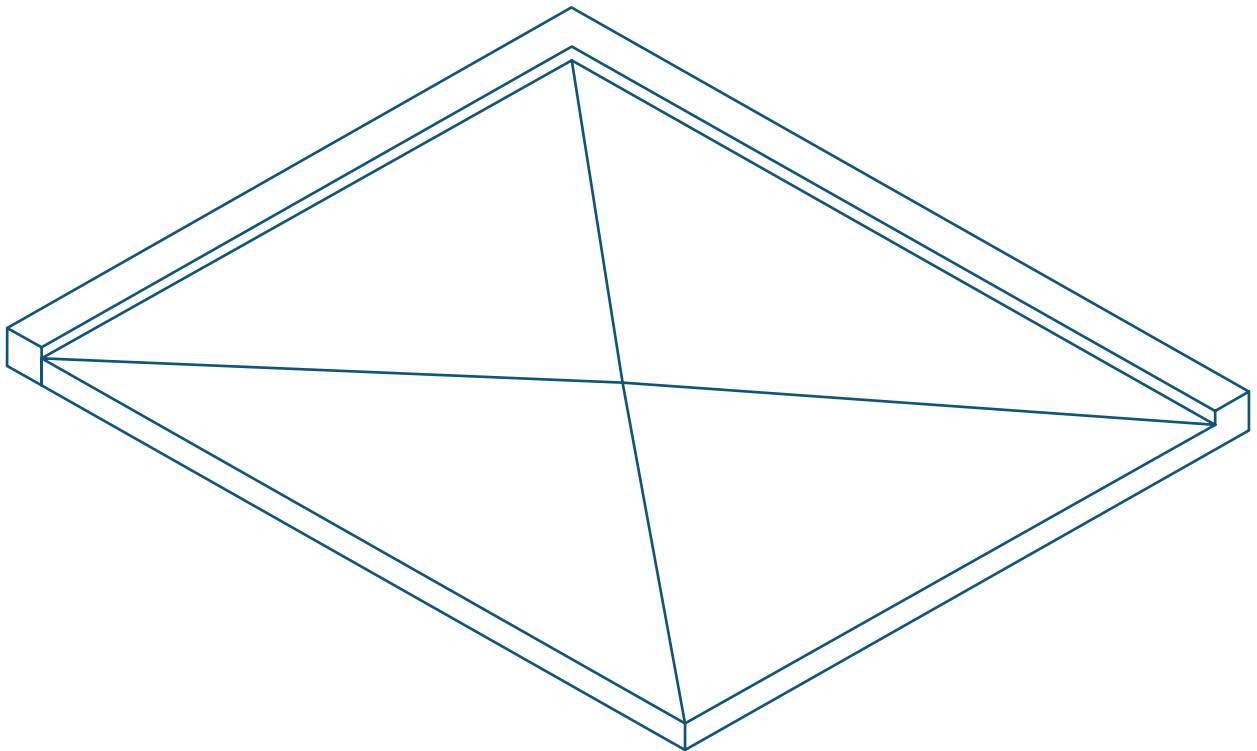

Tile Tray Installation Instructions



Important!

1. When you receive your Tile Tray check that the Tray Design and size is correct and is free of freight damage.
2. Advise Stein 0800 002 299 of any fault within 12 hours of receiving goods.
3. Any installation of incorrect or damaged product will invalidate later claims.

Warranty

Faulty goods are covered under warranty. Visit www.stein.co.nz for details on this. Hot water supply must be fitted with a tempering valve with a maximum of 55 Degrees Celsius. Installation must comply with instructions to be valid.

STEIN

Underfloor Heating

Any heating system in the floor must have a regulated concrete temperature under 25 degrees and a fail-safe monitor to shut down the system in the case of a malfunction. Electric heaters on the surface are not recommended due to much higher surface temperatures.

It is important to check with the Waterproofing and Tile adhesive supplier on suitability of a heating system used within the Shower Area.

! Health and Safety

Determine location of wiring and piping that could be damaged in construction and be life threatening to personnel. This relates to walls or underfloor heating system.

Wear protective equipment and clothing suitable to the tasks undertaken.

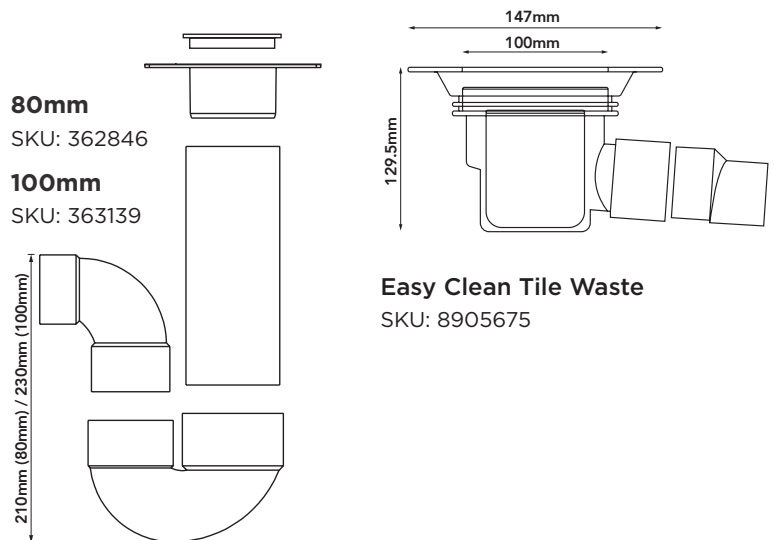
Check Material Data Sheets. Ventilate rooms if using glue or waterproofing that the MDS indicates.

Component Package List

- **QuickTile Tile Base** (Supplied in size ordered)

Following items need to be purchased:

- Maxbond Glue cartridge for tray
- Tile waste options as illustrated



Tiling Guidelines

Floor Tiles: Check the Tiles proposed for this “Wet Area” Project are fit for purpose.

1. Tiles installed should not exceed 6% water absorption. NZ Building Code – Clause E3 Internal Moisture.
2. Thin Tiles increase the risk of breakage.
3. Small dimension tiles are not acceptable as they greatly multiply joins/grout lines, reducing essential surface quality and increase point loadings.

Tile installation*

- It is best practice to follow all aspects of the BRANZ Good tiling guide. Edition 3
- Tile adhesive: This should be troweled out with a suitable notch trowel as per tile size and in some applications back buttered to ensure the adhesive coverage of the system is met.
- Grout used should be suitable for the specific application and epoxy grout is preferred as better performance will be achieved.
- All areas that have movement. ie internal/external corners and areas where different surfaces meet. i.e. floor to channel drain casing should be silicone.
- A Hob/Sill requires specific measures for no transmission of water outside the shower area. This necessitates silicone sealed angle profiles, and 100 percent adhesive coverage at top of Hob.

Notes*

1. The above Tiling Items have been included to alert the installer to his obligations and is not a specification. Consult your material system supplier for technical advice and industry guidance from TANZ to guarantee the NZ Building Code E3 is adhered to.
2. Stein recommend that complete systems be used to assure compatibility of products and installed by trained personal.

Before You Start

- The Quicktile Tray must not be rebated into the wall cladding i.e. “Wet Area” grade lining.
- The Waste Flange must be installed into the floor before gluing tray down.

Preparation Check list

Walls: These must be plumb and flat

- Framing must provide solid fixings for the wall channels either centred to Hob or in the case of level entry at transition line to slope. Also, add fixings for wall mounted plumbing fittings.
- Cladding must be a “wet area” grade to comply to the Building Code and fastened to manufactures specifications for tile loadings

Floors: These must Level and Flat

Wood Floors

- The flooring substrate options. H3.2 treated Ply (no LOSP treatment), Fibre-Cement flooring.
- Framing must be at 400 mm maximum in both directions to establish rigidity.
- Floor levelling compound maybe required to level up.
- When fitting Quicktile Trays to timber floors we recommend the use of Hardies Slate Tile underlay fastened as per their specifications.

Concrete Floors

- Structural integrity, level with a flat surface. Paint or sealant on the surface must be removed to gain an absorbent surface.
- Floor levelling compound or grinding maybe required to level up
- If the concrete pour or a plaster screed has recently been laid the moisture content must be tested. To arrive at the relative humidity,75% is the maximum permissible. Remedial treatment must be done if too high.

Plumbing

- All plumbing must be installed by a licenced Plumber. The mixer or tap fittings must be sealed at entry through the wall.

Waterproofing

- Refer to back page for waterproofing guidance.

Fitting the Tile Tray

1. Drill a small hole at marked centre of tile tray for waste position to substrate.
2. Place the tile tray in position and mark the external perimeter of the tray and the centre point of waste through the drilled hole.
3. Install the waste fitting to the substrate.
4. Replace Quicktile tray and with a sharp knife cut around the waste flange to neatly butt up against flange. Sandpaper top edge of cut circle to angle down to flange.

Diagram 1: Fitting

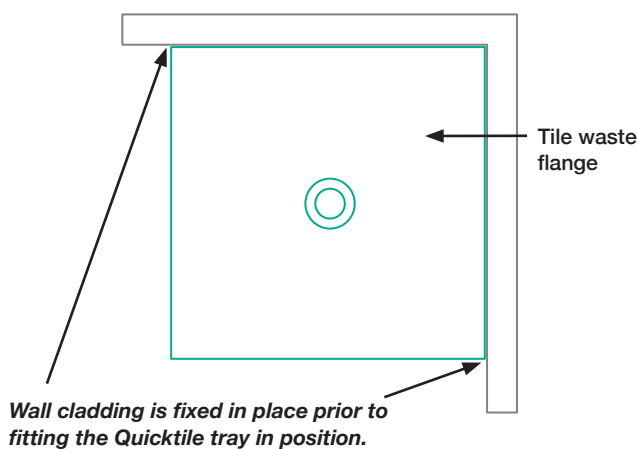
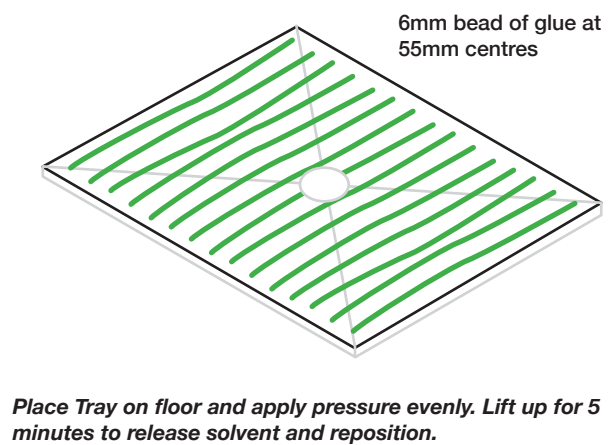


Diagram 2: Bonding of Tray



Tray Bonding To Floor

Maxbond Cartridge Bonding

1. Apply 6mm beads at 55mm centres on underside of Tray and butt joints.
2. Place on Floor apply pressure evenly. Lift up for 5 minutes to release solvents and reposition
3. Weigh down and hold in position. Allow 48 hrs for adhesive to cure sufficiently to hold.

Note: Temperatures under 5° will hold the glue dormant. Elevate the room to 10° minimum for curing.

WATERPROOFING

- The Independent Waterproofing Companies listed below have tested their systems and procedures on Stein Quicktile Tile Trays. This represents years of proven track record.
- At the time of publication all Waterproofing Systems hold a BRANZ Appraisal.
- All the Waterproofing Systems listed have an aligned Tiling Systems. You must use the associated Waterproofing & Tiling system for compatibility, performance and accountability.
- A Producer Statement must be provided to the Council Authority and Owner detailing the Waterproofing applicator ID or Code. As an appendage also include the tiling system utilised.
- Applicators must be trained and hold current Accreditation with the respective system being utilised for the Warranty to be valid. We advise you to ask for these credentials.

COMPANY	PRIMER	PRODUCTS	CONTACT	WARRANTY
ARDEX	Prep: Wipe down with damp cloth - No primer	1. ARDEX WPM 155 Rapid (1 Part Poly- Acrylic) 2. Ardex Superflex WPM 002 (2Part) 3. ARDEX WPM 750 WeldTec Undertile Sheet Membrane*	Ronald Rose 027 838 5691 ronald.rose@ardexnz.com	15years *20years
DAVCO Tilemax Ltd	Davco Primex	1. Davco K10 Plus - Polyurathane (Coat Primex within 24 hrs) 2. Davco K10 Rapid	Isaac Gordan 022 127 7694 isaac@tilemax.co.nz	15 years
DRIBOND CONSTRUCTION CHEMICALS	Primax Bonding slurry - Kemcrete mixed 50/50 with cement or Gripflex	1. Hydrathane 2. Liquid Flash 2- Pack 3. Reomat b/breaking Tapes	Steve Plester 022 1205416 sp.conchem@xtra.co.nz	15years
LADICRETE GLOBAL TILE	Prep: as instructions No Primer	Hydro Ban SBR	Chris Anderson 021 784 162 Chris@globaltile.co.nz	15years
MAPEI	Ecoprim Grip (1part) Magelastic SP (2 part)	1. Mapelastic AquaDefence 2. Mapegum WPS 3. Mapelastic Smart (2part)	Heidi Clark 027 6455 122 heidi.clark@mapei.co.nz	15 years
SIKA (NZ)	Per Instructions	Sikalastic-152	Andy Williams 09 820 2900 021 421 084 williams.andy@nz.sika.com	15 years
Tiling Trade Supplies T/A Technokolla NZ	Prep: Clean and Vac surface. Technokolla 101	1. Technokolla RL80 SeamTape joins Rasolastic Advance. Two Part 2. Strataflex & Rasogum over laps	Dave Boyes 0275 635 891 dave@technolla.co.nz	15 years

- Stein warrants the performance and integrity of the Quicktile Tile Shower Base for 20 years. Non-conformity to installation instructions has the risk of failure.
- All Waterproofing and Tile Installation must be installed as per manufactures Specifications as any deviation from the instructions may result in a performance failure.
- All Tiling must follow BRANZ Good Tiling Practice.

* This document is current as of 9 May 2018.